



# CANBUILT MFG.

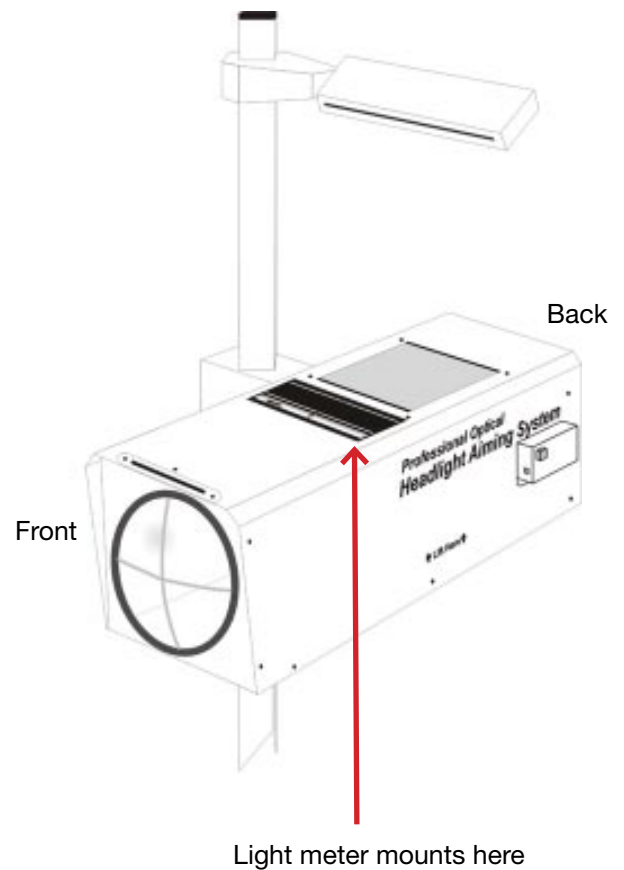
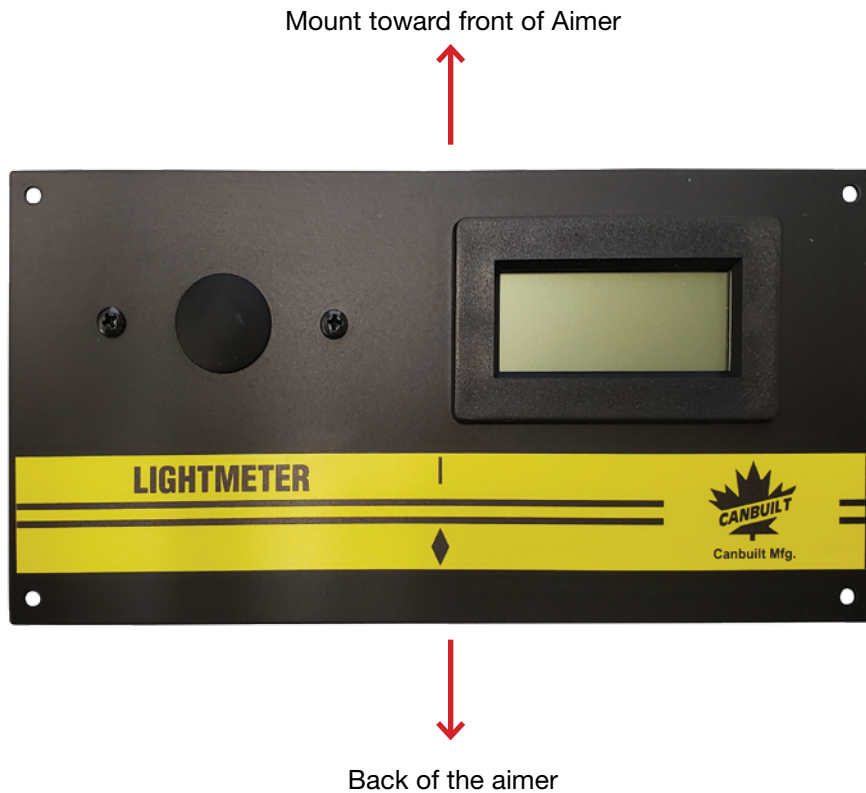
www.canbuilt.com

April 2022

## OPT-555 LIGHT INTENSITY METER

The optional light meter provides technicians with a system to measure light intensity. The light meter measures the volume and intensity the headlight emits into the OPT-5405 aimer head. It operates on a standard 9v battery that is mounted on the bottom of the meter.

The light meter mounts on top of the aimer head in place of the cover plate. Simply remove the four screws and replace the plate with the light meter. Be sure that the LCD display is readable from the rear of the aimer.



To operate the meter, depress the black button.  
Light intensity will display in the LCD screen.  
The light meter automatically turns off when the button is released.