



CANBUILT MFG.

Toll-Free in Canada: 1-888-607-2926 Phone: 416-749-6555 Fax: 416-749-7597
 Email: sales@canbuilt.com Website: www.canbuilt.com

103 Milvan Drive,
 Toronto, Ontario,
 Canada, M9L 1Z7

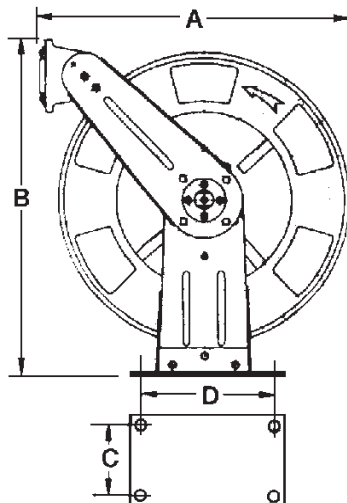
OPEN HOSE REELS

Dual Arm - Super Duty

- Steel double pedestal arms stay rigid even when hose is pulled on an angle
- Heavy Duty, Non sparking latch mechanism
- Heavy guage steel construction, welded with gussets for strength
- Hardened shaft and corrosion proof swivel
- Adjustable guide arms for wall, ceiling, floor or pit mounting
- Permanently lubricated bearings and trouble free reel spring provides positive reel recoil everytime.
- Compact narrow design to save space
- Includes: inlet swivel, 24" Inlet Hose and hose stop



Guide Arms are adjustable to any of three mounting positions to provide your most ideal configuration for wall, ceiling, floor, pit or truck mounting



DIMENSIONS

- A: 19 1/4"
- B: 20 1/2"
- C: 5 3/16"
- D: 8 1/2"

Reel Swivel		Hose	
Model	Inlet	Length	I.D.
Medium Pressure : 3000 P.S.I. - Oils, Fluids			
LR-24911	1/2" N.P.T.3	0'	1/2"
High Pressure: 8000 P.S.I. - Grease			
GR-14206	1/4" N.P.T.3	0'	1/4"

QUALITY • PERFORMANCE • LONGEVITY